



# EURO GAIT-MASTER

## Electrical Set-up

In order to be covered by EGM's warranty all connections have to be made by a licensed electrician. The Electrical line runs are shown in Figure 1. Safety and circuit protection measures have to be taken in order to protect components from power "surges" or "spikes". Please read carefully the following instructions before connecting controllers:

The panel requires 220V, **single phase**, 60 Hertz, 11 Amps with one leg of the circuit grounded (neutral) and a mechanical ground.

The circuit feeding the unit should be protected by a circuit breaker no more than 15 to 20 amps and should not be shared with other appliances (Dedicated).

The wires running from the panel to the fencer and motor should meet all local building code requirements and is the responsibility for the correct electrical install.

### The controller will convert power to three phase to the motor.

The wires from the panels to the controller should be #12AWG, stranded, copper, THHN color coded black (hot), white (neutral) and green (ground). The wires from the controller to the motor leads should be in their own conduit. (Separate from 110V/fencer). It should be 3 wires #14 AWG stranded copper black color + 1 green color wire for the ground.

The power should be free of "spikes", "surges" and "noise" from other equipment and outside sources or warranty is voided.

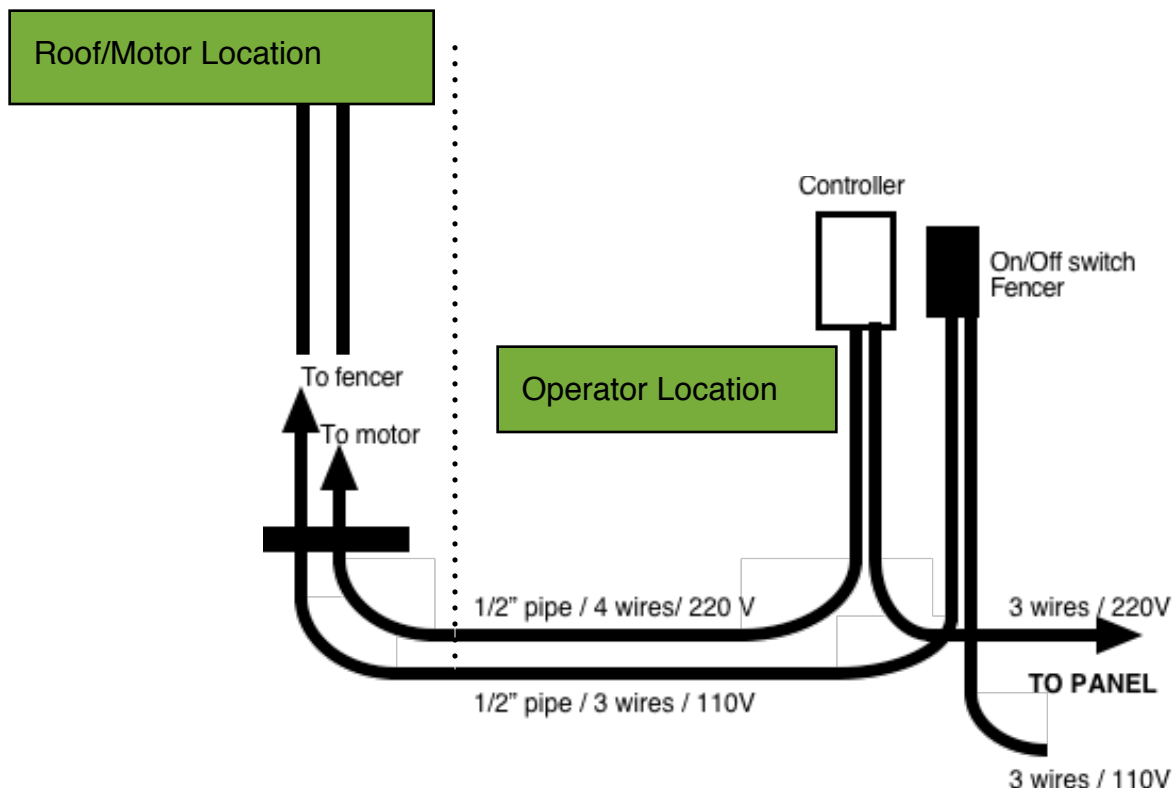


Figure 1



## EURO GAIT-MASTER

### Motor Connections:

The motor connections use a low voltage set-up at the motor terminal box. The machine is delivered with the terminal box configured to the low voltage set-up. The electrician must open the terminal box and do final connections. It's important that the electrician seal the terminal box and wire connection ports so moisture may not enter the terminal box, or corrosion of the motor may occur, and will void the motor warranty.

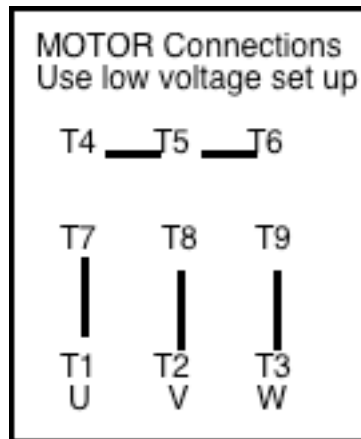


Figure 2

### Motor Connection Set-up

### Electrical fencer:

Fencer is mounted and wired onto base of EuroXciser. It should be plugged to a weatherproof outdoor outlet on concrete pad by an electrician. This outlet is wired to a switch on outside panel by controller. 110V must be in a separate conduit - Do Not run the 110 lines in the same conduit as the motor electrics. Fencer should be grounded to a 3/8 ground rod next to concrete pad by the electrician. Booklet on fencer is supplied with EuroXciser.